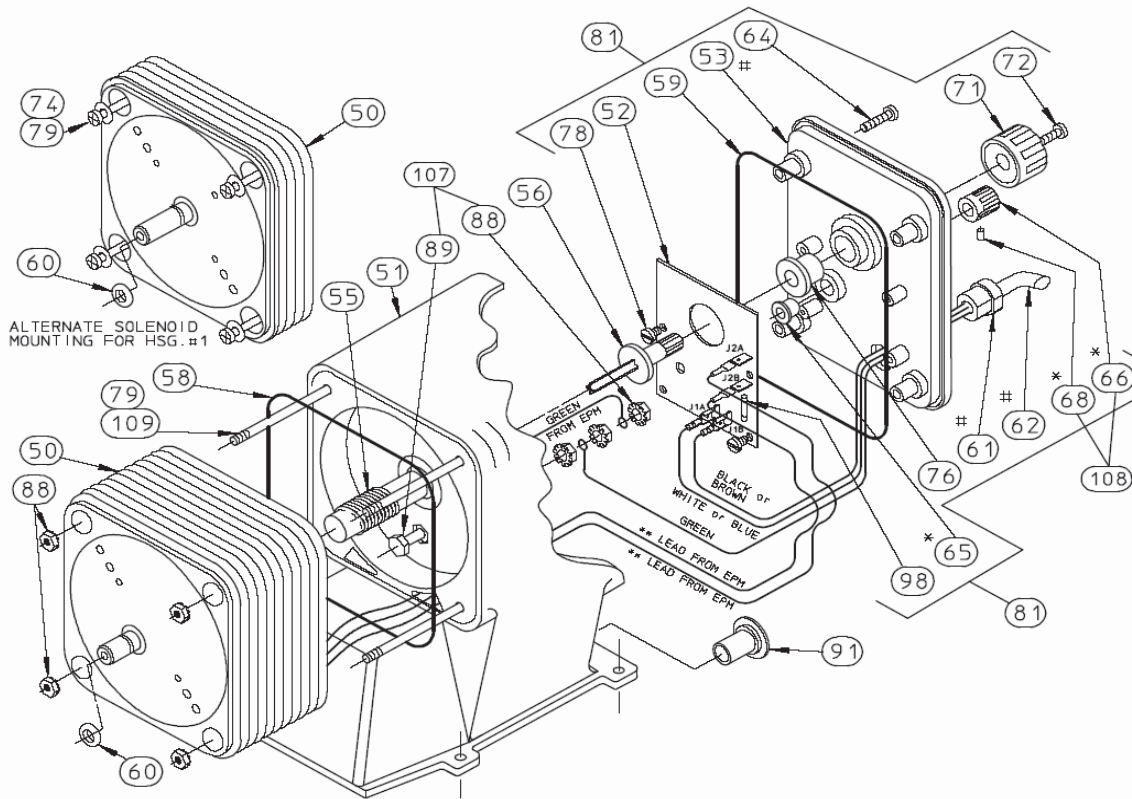


SERIES A PLUS, C, C PLUS, E AND E-DC DRIVE ASSEMBLY AND CONTROL PANEL PARTS IDENTIFICATION



ITEM	PART NAME	QTY	ITEM	PART NAME	QTY
50	ELECTRONIC POWER MODULE	1	72	SCREW, KNOB MOUNTING	1
51	HOUSING	1	74	SCREW, EPM MOUNTING (HSG. #1)	4
52	ELECTRONIC CONTROL BOARD	1	76	GROMMET, STROKE LENGTH	1
53#	CONTROL PANEL	1	77#	PANEL LABEL (NOT SHOWN)	1
55	FEMALE ADJUSTMENT SHAFT	1	78	SCREW, ELECTRONIC CONTROL BOARD	2
56	MALE ADJUSTMENT SHAFT	1	79	EPM MOUNTING WASHER	4
57	EPM RETAINING PLATE	1	81	CONTROL PANEL ASSEMBLY	REF
58	EPM/HOUSING O-RING	1	88+	GROUND LUG NUT w/ WASHER	3
59	CONTROL PANEL O-RING	1	89+	GROUND LUG BOLT	1
60	SECONDARY SEAL	1	91	PLUG, WIRE ENTRY (#3 HSG. ONLY)	1
61#	STRAIN RELIEF	1	93	CONTROL PANEL SUB-ASSEMBLY	REF
62#	POWER CORD	1	98	FUSE	1
64	CONTROL PANEL SCREW	4-5	107	GROUND LUG KIT	REF
65*	GROMMET, STROKE RATE/SWITCH	1	108	STROKE RATE KNOB KIT	REF
68*	KNOB, SET SCREW	1	109	SCREW, EPM MOUNTING (HSG. #2/3)	4
71	KNOB, STROKE LENGTH	1			

- # = COMPONENTS OF ITEM #93.
- * = THESE ITEMS NOT USED ON 'LC' MODEL PUMPS.
- ** = 115 VOLT EPM UNITS HAVE GREY LEADS.
- ** = 230 VOLT EPM UNITS HAVE RED LEADS.
- ** = 12 vDC EPM UNITS HAVE WHITE LEADS.
- + = THESE ITEMS ARE NOT USED ON 12vDC POWERED UNITS.

AC00277.001
15-E-04