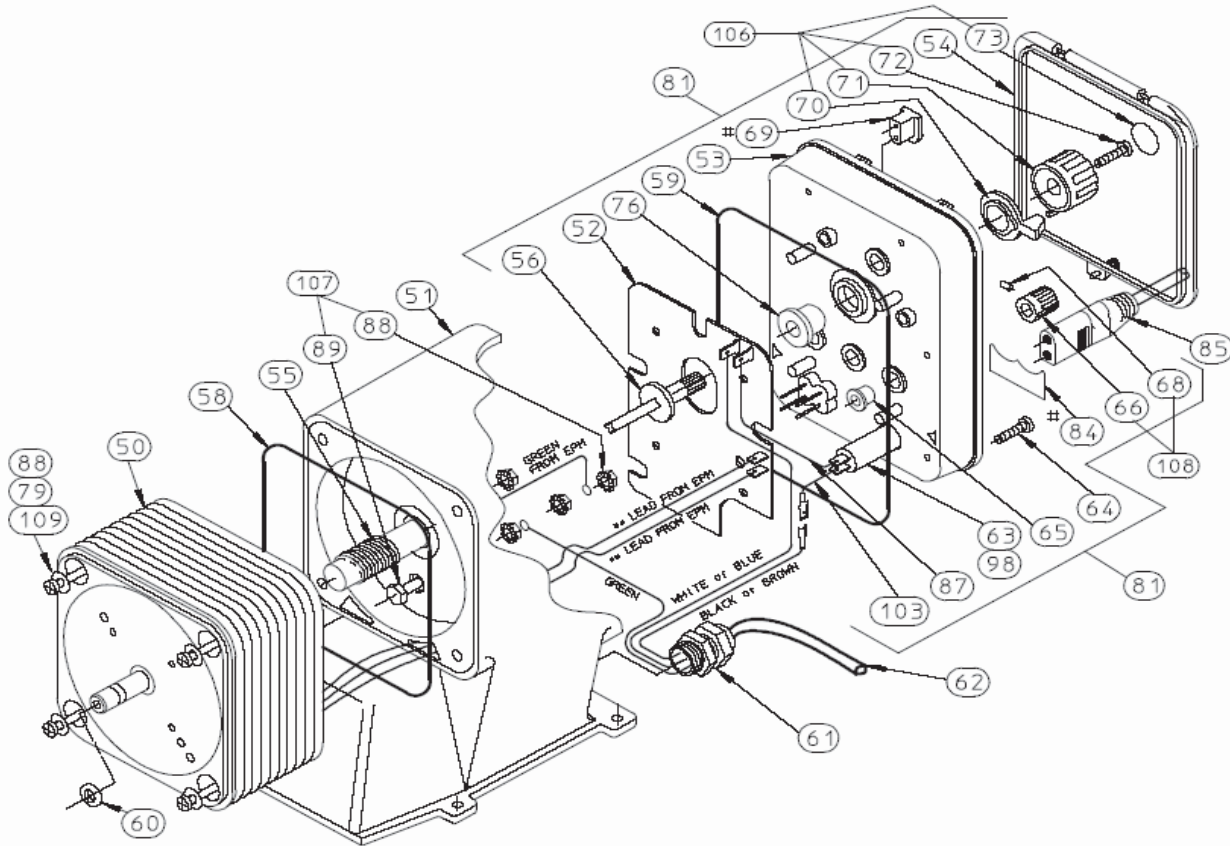


SERIES E PLUS, HV AND SERIES E DRIVE ASSEMBLY AND CONTROL PANEL PARTS IDENTIFICATION



ITEM	DESCRIPTION	QTY	ITEM	DESCRIPTION	QTY
50	ELEC. POWER MODULE(EPM)	1	70	LOCKING TAB	1
51	HOUSING	1	71	KNOB,STROKE LENGTH	1
52	ELECTRONIC CONTROL BOARD	1	72	KNOB MOUNTING SCREW	1
53	CONTROL PANEL	1	73	KNOB STICKER,STROKE LG.	1
54	DUST COVER ASSEMBLY	1	74	EPM MOUNTING SCREW	4
55	FEMALE ADJUSTMENT SHAFT	1	76	GROMMET,STROKE LENGTH	1
56	MALE ADJUSTMENT SHAFT	1	77	PANEL LABEL(NOT SHOWN)	1
57	EPM RETAINING PLATE	1	79	EPM MOUNTING WASHER	4
58	EPM/HOUSING O-RING	1	81	CONTROL PANEL ASSEMBLY	REF
59	CONTROL PANEL O-RING	1	#84	STOP/FCTN LABEL	1
60	SECONDARY SEAL	1	#85	STOP/FUNCT.CORD(NOT SHOWN)	2
61	STRAIN RELIEF	1	87	JUMPER WIRE	1
62	POWER CORD AS'Y, HSG.#2	1	88	GROUND LUG NUT w/ WASHER	3
	POWER CORD AS'Y, HSG.#3	1	89	GROUND LUG BOLT	1
63	FUSE HOLDER	1	98	FUSE	1
64	CONTROL PANEL SCREW	5-6	103	LEAD ASS'Y, PWR CONNECTION	1
65	GROMMET,STROKE RATE/SWITCH	2	106	KNOB KIT, STROKE LENGTH	REF
66	KNOB,STROKE RATE/SWITCH	2	107	GROUND LUG KIT	REF
68	KNOB SET SCREW	2	108	STROKE RATE KNOB KIT	REF
#69	PIN PLUG	2	109	SCREW, EPM MOUNTING	4

- THESE ITEMS USED ON EXTERNAL PACING, STOP & 4-20ma/STOP OPTIONS.
NOTE: TERMINAL LOCATIONS ON THE CIRCUIT BOARD VARY
DEPENDING ON THE CONTROL OPTION.

AC00276.001
14-E-04