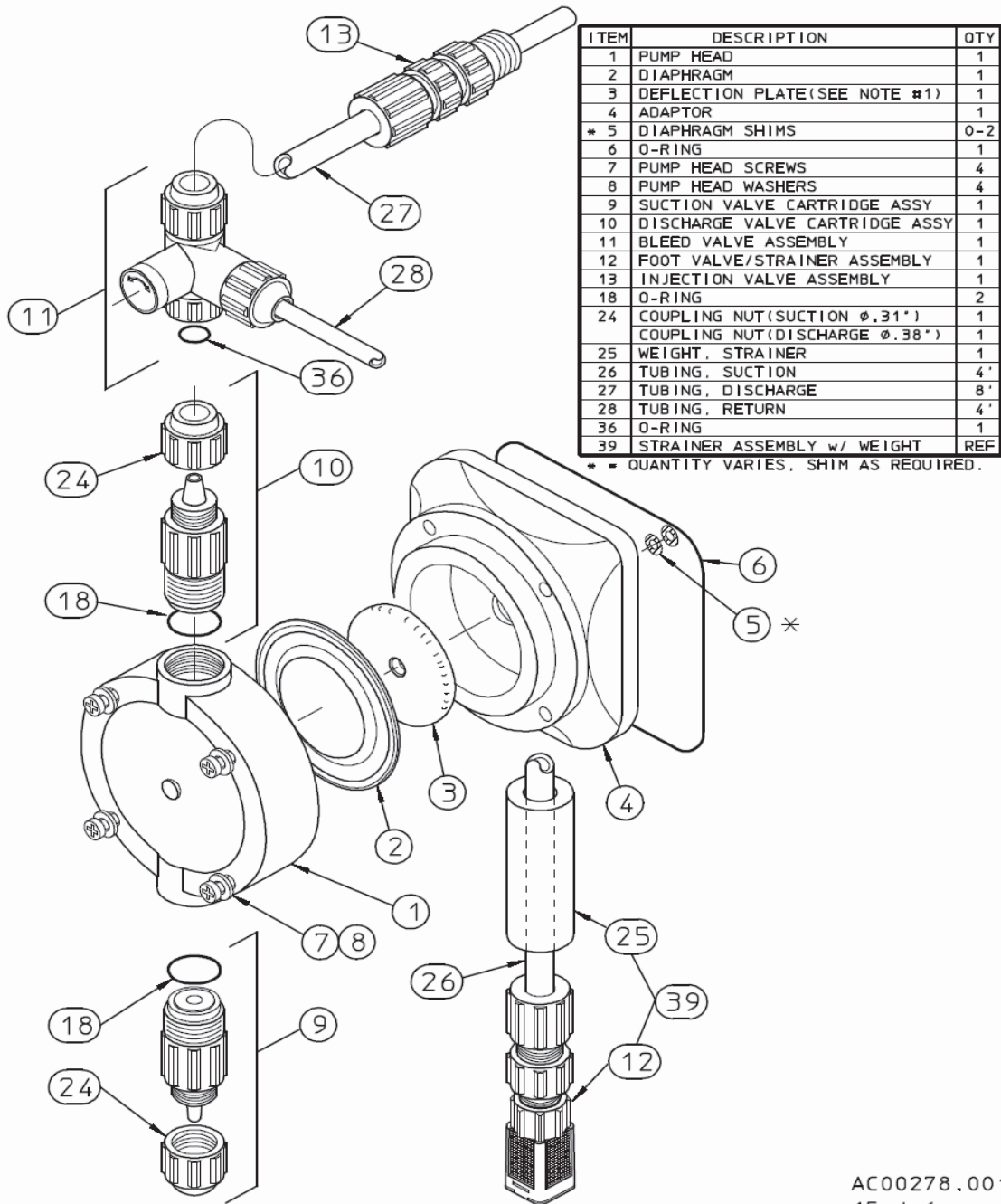


HEAD START ASSEMBLY ("J" Connection) PARTS IDENTIFICATION



AC00278.001
15-J-6