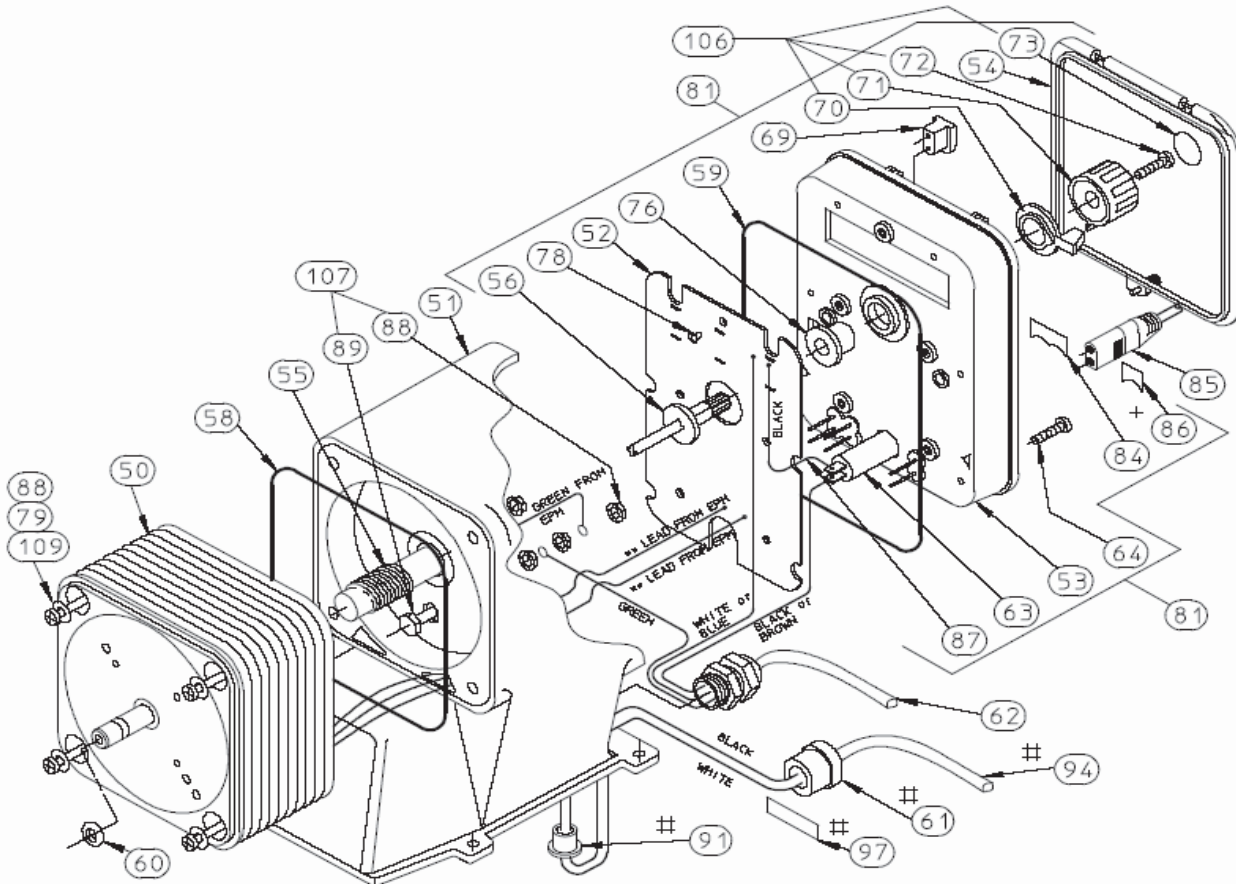


SERIES MP DRIVE ASSEMBLY AND CONTROL PANEL PARTS IDENTIFICATION



ITEM	DESCRIPTION	QTY	ITEM	DESCRIPTION	QTY
50	ELEC. POWER MODULE (EPM)	1	73	KNOB STICKER, STROKE LG.	1
51	HOUSING	1	74	EPM MOUNTING SCREW	4
52	ELECTRONIC CONTROL BOARD	1	76	GROMMET, STROKE LENGTH	1
53	CONTROL PANEL	1	77	TOUCH PAD (NOT SHOWN)	1
54	DUST COVER ASSEMBLY	1	78	CIRCUIT MOUNT SCREW	5
55	FEMALE ADJUSTMENT SHAFT	1	79	EPM MOUNTING WASHER	4
56	MALE ADJUSTMENT SHAFT	1	81	CONTROL PANEL ASSEMBLY	REF
57	EPM RETAINING PLATE	1	84	STOP/SIGNAL LABEL	1
58	EPM/HOUSING O-RING	1	85	STOP/FUNC. CORD (NOT SHOWN)	2-3
59	CONTROL PANEL O-RING	1	86+	RELAY LABEL	1
60	SECONDARY SEAL	1	87	JUMPER WIRE	1
61#	STRAIN RELIEF (SIGNAL)	1	88	GROUND LUG NUT w/ WASHER	7
62	POWER CORD AS'Y, HSG.#2	1	89	GROUND LUG BOLT	1
	POWER CORD AS'Y, HSG.#3		91#	SIGNAL CORD BUSHING	1
63	CIRCUIT BREAKER	1	92	BREAKER COVER (NOT SHOWN)	1
64	CONTROL PANEL SCREWS	5-6	94#	SIGNAL CORD	1
69	PIN PLUG	2	97#	SIGNAL/POWER LABEL	1
71	KNOB, STROKE LENGTH	1	106	KNOB KIT, STROKE LENGTH	REF
72	KNOB MOUNTING SCREW	1	107	GROUND LUG KIT	REF
73	KNOB STICKER, STROKE LG.	1	109	SCREW, EMP MOUNTING	4

- USED ON POWER RELAY MODEL ONLY.
+ = USED ON SIGNAL RELAY MODEL ONLY.

** - 115 VOLT EPM UNITS HAVE GREY LEADS, 230 VOLT EPM UNITS HAVE RED LEADS.
NOTE: TERMINAL LOCATIONS ON THE CIRCUIT BOARD VARY DEPENDING ON THE CONTROL OPTION.

AC00273.001

14-E-04