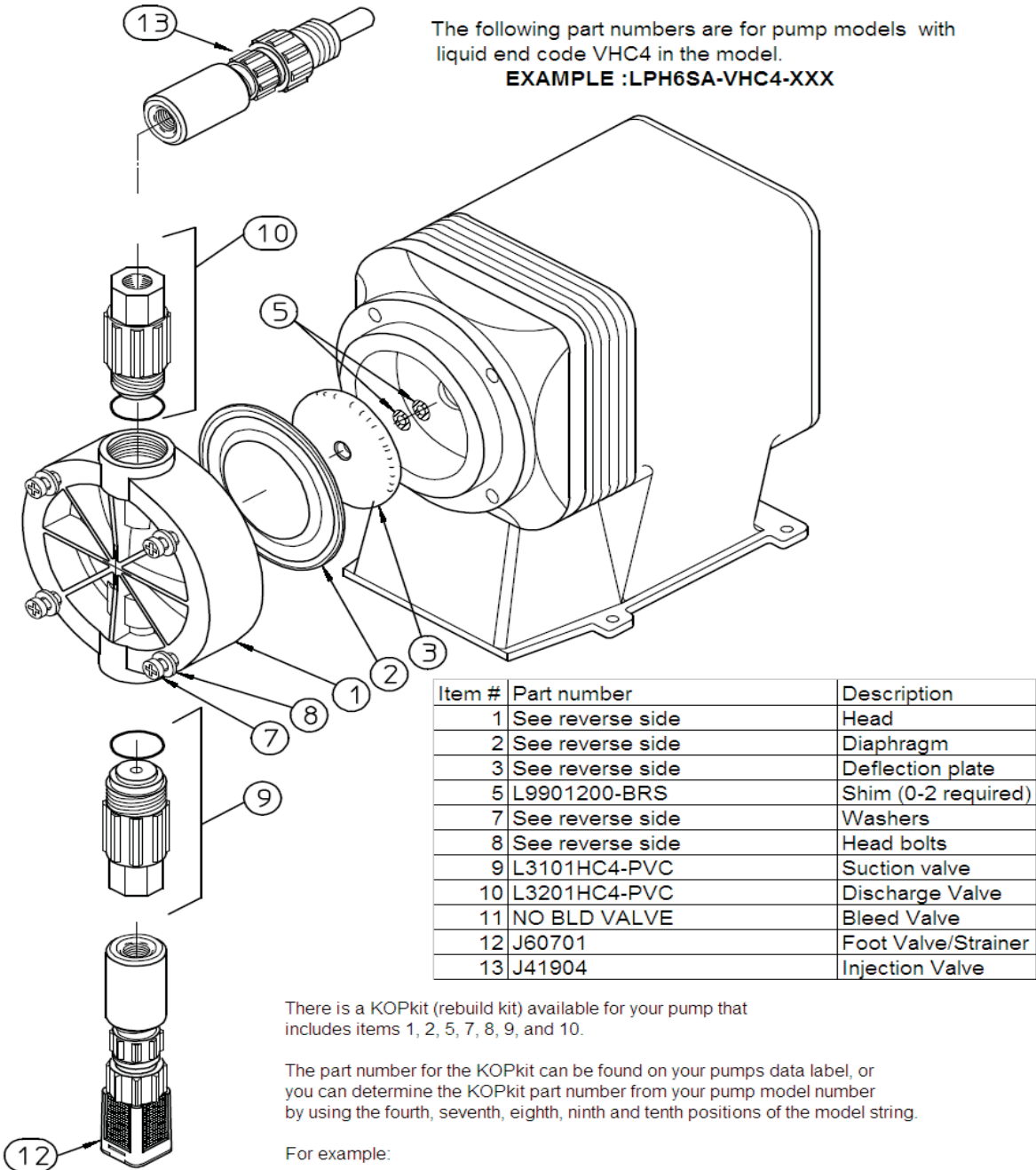


# VHC4 WET END PARTS



The following part numbers are for pump models with liquid end code VHC4 in the model.

**EXAMPLE :LPH6SA-VHC4-XXX**

Item #	Part number	Description
1	See reverse side	Head
2	See reverse side	Diaphragm
3	See reverse side	Deflection plate
5	L9901200-BRS	Shim (0-2 required)
7	See reverse side	Washers
8	See reverse side	Head bolts
9	L3101HC4-PVC	Suction valve
10	L3201HC4-PVC	Discharge Valve
11	NO BLD VALVE	Bleed Valve
12	J60701	Foot Valve/Strainer
13	J41904	Injection Valve

There is a KOPkit (rebuild kit) available for your pump that includes items 1, 2, 5, 7, 8, 9, and 10.

The part number for the KOPkit can be found on your pumps data label, or you can determine the KOPkit part number from your pump model number by using the fourth, seventh, eighth, ninth and tenth positions of the model string.

For example:

Model: LPH6SA-VHC4-XXX

KOPKIT P/N: K6VHC4

AC00380.001  
J-9-04  
1:3

Use the fourth digit in the model number from your pump to identify the part numbers below

**EXAMPLE MODEL:**

Position	1, 2, 3,4, 5, 6 -7, 8, 9,10-11,12,13
Model:	L P H 6 S A- V H C 4- X X X

For example the pump head (ITEM #1) for this pump would be:

P/N L0200600-PVC

PART NUMBER	QTY	DESCRIPTION
<b>ITEM NO. 1: PUMP HEAD (PVC)</b>		
L0200400-PVC	1	4 IN POSITION NUMBER FOUR OF THE MODEL NUMBER
L0200500-PVC	1	5 IN POSITION NUMBER FOUR OF THE MODEL NUMBER
L0200600-PVC	1	6 IN POSITION NUMBER FOUR OF THE MODEL NUMBER
<b>ITEM NO. 2: DIAPHRAGM</b>		
L0301100-THY	1	4 IN POSITION NUMBER FOUR OF THE MODEL NUMBER
L0301200-THY	1	5 IN POSITION NUMBER FOUR OF THE MODEL NUMBER
L0301300-THY	1	6 IN POSITION NUMBER FOUR OF THE MODEL NUMBER
<b>ITEM NO. 3: DEFLECTION PLATE</b>		
L2100400-FPP	1	4 IN POSITION NUMBER FOUR OF THE MODEL NUMBER
L2100500-FPP	1	5 IN POSITION NUMBER FOUR OF THE MODEL NUMBER
L2100600-FPP	1	6 IN POSITION NUMBER FOUR OF THE MODEL NUMBER
<b>ITEM NO. 7 &amp; 8: PUMP HEAD SCREWS AND WASHERS KIT (CONTAINS BOLTS AND WASHERS)</b>		
L3900200-000	1	2,3, OR 4 IN POSITION NUMBER FOUR OF THE MODEL NUMBER
L3900300-000	1	5, 6 OR 7 IN POSITION NUMBER FOUR OF THE MODEL NUMBER
<b>REPLACEMENT FUSES</b>		
L9707300-000	1	E-PLUS SERIES, AND E SERIES PUMPS WITH FUSE HOLDER
L9711200-000	1	A -PLUS, C, C-PLUS, AND E SERIES PUMPS WITH PC BOARD MOUNTED FUSE
L9704700-000	1	SERIES E-DC PUMPS
L9700700-250	1	SERIES MP PUMP (CIRCUIT BREAKER)