

# Wall Mount Brackets



## The Wall Mount Bracket

allows a pump to be mounted on a wall or other vertical support in applications where it is necessary to have the pump mounted above a tank or drum.

Pulsafeeder has two types of materials for wall mount brackets available to suit your needs. Brackets are available in either plastic or steel. These wall mount brackets will provide a stable mounting surface for your pump with mounting hardware included, making installation simple.

## Side Mount Bracket

For pumps that need to be side mounted the plastic wall mount bracket will hold a pump up to 22 pounds and Pulsafeeders 12 gauge stainless steel wall mount bracket can hold a pump up to 50 pounds.

## Forward Mount Bracket

For pumps requiring forward mount position Pulsafeeders 14 gauge steel with black epoxy coat finish will support Pulatron pumps with the #1 or #2 size housings.\*

Pulsatrons with a #3 size housing are the Series MP, E+, E series models (H4, H5, H6, H7, H8, K7, J7).

## Key Features

### Side Mount Bracket

- **Material**  
Heavy Duty ABS Plastic or 12 Gauge Stainless Steel
- **Universal pump mount**
- **Mounting hardware included**
- **Stainless Steel pre-drilled**



### Forward Mount Bracket

- **14 Gauge Steel with Black Epoxy Coat Finish**
- **Predrilled**

technology  
innovation  
diversity  
excellence

# Wall Mount Bracket

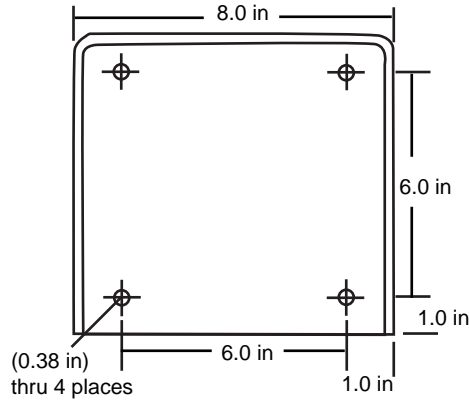
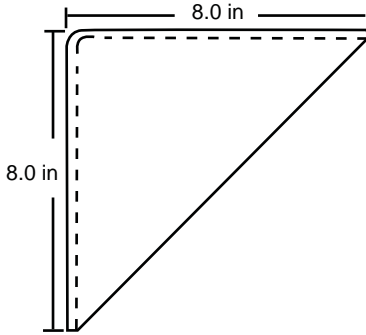
## Specifications

Wall Mounting Bracket Assemblies		
Mount	Material - Max Pump Wt.	Part Number
Side	Plastic, 22 lbs	L9908200-000
	12 Ga. SS, 50 lbs	L9902700-000
Forward	*14 Ga. Stl, 50 lbs	L9911600-STL

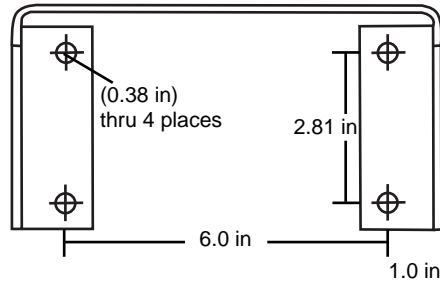
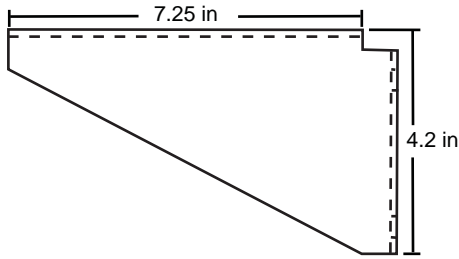
\*14 Gauge steel w/ black epoxy coat finish

## Dimensions

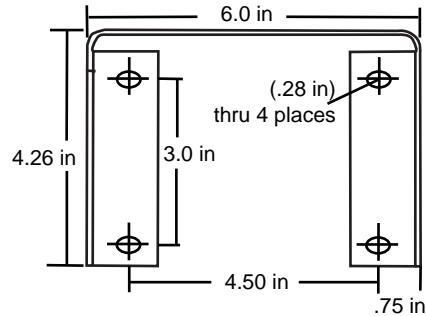
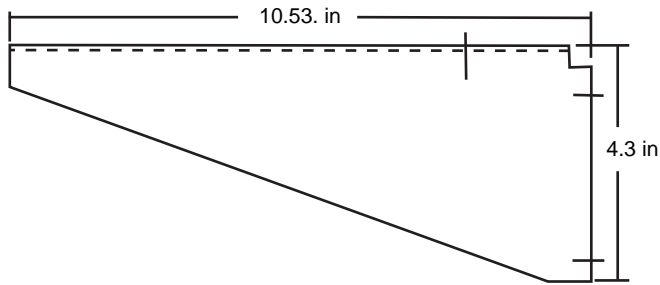
### Plastic Side Mount



### Stainless Steel Side Mount



### Steel Forward Mount



Note: It is the manufacturers recommendation that the bracket be used for wall mount applications. Contact the factory concerning other mounting considerations. It is also recommended that suction lift be kept to a minimum and should be a consideration in choosing the shelf mount location.

An ISO Certified Company



A Unit of IDEX Corporation



Standard Product Operations  
 27101 Airport Road • Punta Gorda, Florida 33982  
 TEL (941) 575-3800 • TEL 800-333-6677  
 FAX (941) 575-4085 • FAX 800-456-4085  
 spottech@pulsa.com • www.pulsa.com