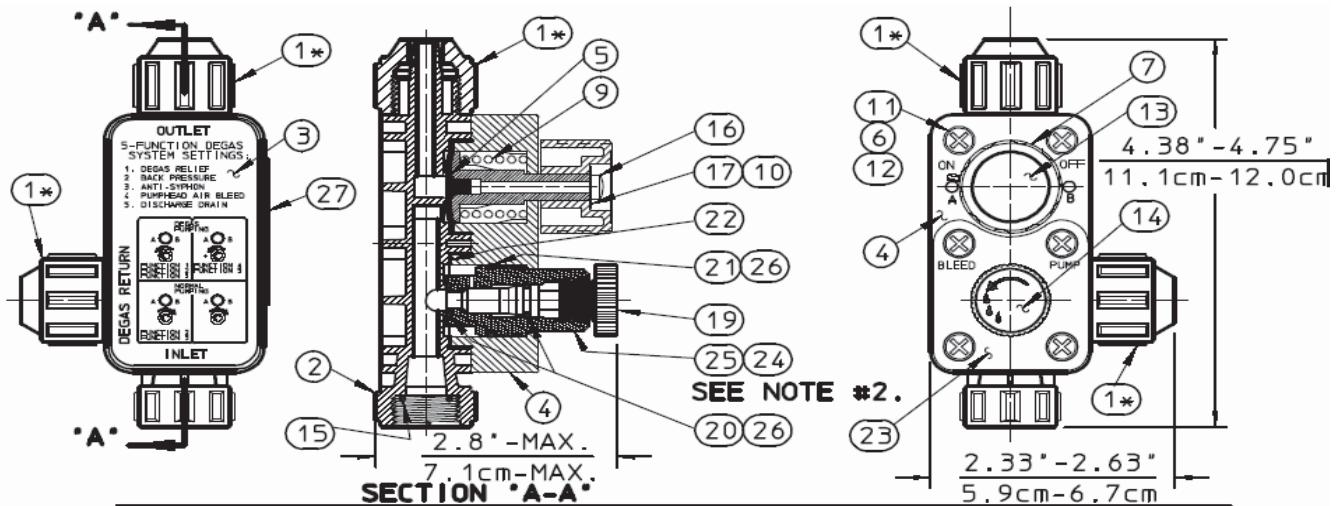


## FIVE FUNCTION DEGAS VALVE PARTS IDENTIFICATION



ITEM	MAT'L	PART #	DESCRIPTION	QTY	
1*	PVC	PVD	L1100300	NUT, COUPLING .38"-TUBE	2
	PVC	PVD	L1100400	NUT, COUPLING .50"-TUBE	
	HPV	HPV	SEE PG 3	KIT, METRIC COUPLING NUT(SEE PAGE #3)	
2	-	PVD	L1103900	BODY, VALVE .25"-NPT 5-FUNCTION	1
	PVC	-	L1106100	BODY, VALVE .25"-NPT 5-FUNCTION	
	-	PVD	L1104000	BODY, VALVE .38"-TUBE 5-FUNCTION	
	PVC	-	L1106200	BODY, VALVE .38"-TUBE 5-FUNCTION	
	-	PVD	L1104100	BODY, VALVE .50"-TUBE 5-FUNCTION	
	PVC	-	L1106300	BODY, VALVE .50"-TUBE 5-FUNCTION	
	-	PVD	L1106400	BODY, VALVE G-1/2-A 5-FUNCTION	
	PVC	-	L1106500	BODY, VALVE G-1/2-A 5-FUNCTION	
3	000	000	L1713500	LABEL, INSTRUCTION DECAL 5-FUNCT/DEGAS	1
4	PVD	PVD	L1109900	BLOCK, MODIFIED VLV 5-FUNCT/DEGAS	1
5	000	000	L0301900	DIAPHRAGM AS'Y, 5-FUNCT/DEGAS VALVE	1
6	000	000	L9805000	WASHER(SST), FLAT #10 SMALL	6
7	FPP	FPP	L1900600	KNOB, ADJUSTMENT 5-FUNCT/DEGAS	1
9	000	000	L1104400	SPRING, VALVE 50-PSI 5-FUNCTION	1
10	188	188	L9804600	WASHER, FLAT $\phi$ .19 x $\phi$ .56 5-FUNCTION	1
11	188	188	L9804700	SCREW, #10-32 x1.5"-lg. PHP	6
12	-	-	U0812299	NUT, HEX #10-32 x.13"-thk.	6
13	000	000	L1701600	LABEL(BLK), DECAL, STROKE LENGTH KNOB	1
14	000	000	L1701305	LABEL, DECAL BLEED SCREW	1
15	TFE	TFE	L1501200	GASKET, 2-013 O-RING	1
16	-	-	06-008-26	SCREW, #8 x 1.0"-lg. TYPE-1	1
17	188	188	L9904400	SPRING, CURVED WASHER	1
18	PVC	PVD	L1110200	SHAFT AS'Y, VALVE SCREW, 5-FUNCT/DEGAS	1
19	HYP	VTN	L1501100	GASKET, 2-010 O-RING	2
20	HYP	VTN	W078200	GASKET, 2-018 O-RING	1
21	HYP	VTN	L1503300	GASKET, FLAT	1
22	000	000	L1713700	LABEL, BLEED/PUMP DECAL 5-FUNCT/DEGAS	1
23	188	188	L9902100	PIN(SST), ROLL $\phi$ .06x.63"-lg.	2
24	PVC	PVD	L1110000	ADAPTER, CONVERSION VALVE 5-FUNCT/DEGAS	1
25	-	-	U8800462	LUBE, SILICONE	A/R
26	xxx	xxx	L940xxxx	LABEL, DECAL	1

\* = NOT REQUIRED ON NPT OR G-1/2-A CONNECTIONS.

- NOTES: 1) WHEN INSTALLING O-RINGS(IT.#20 & #21), LUBE WITH PARKER SUPER O-LUBE (IT.#26) TO PREVENT O-RING DAMAGE.  
2) INSTALL CONVERSION VALVE ADAPTER(IT.#25) WITH SMALL BYPASS HOLE IN A VERTICAL POSITION TOWARDS TOP ADJ. KNOB(IT.#7).