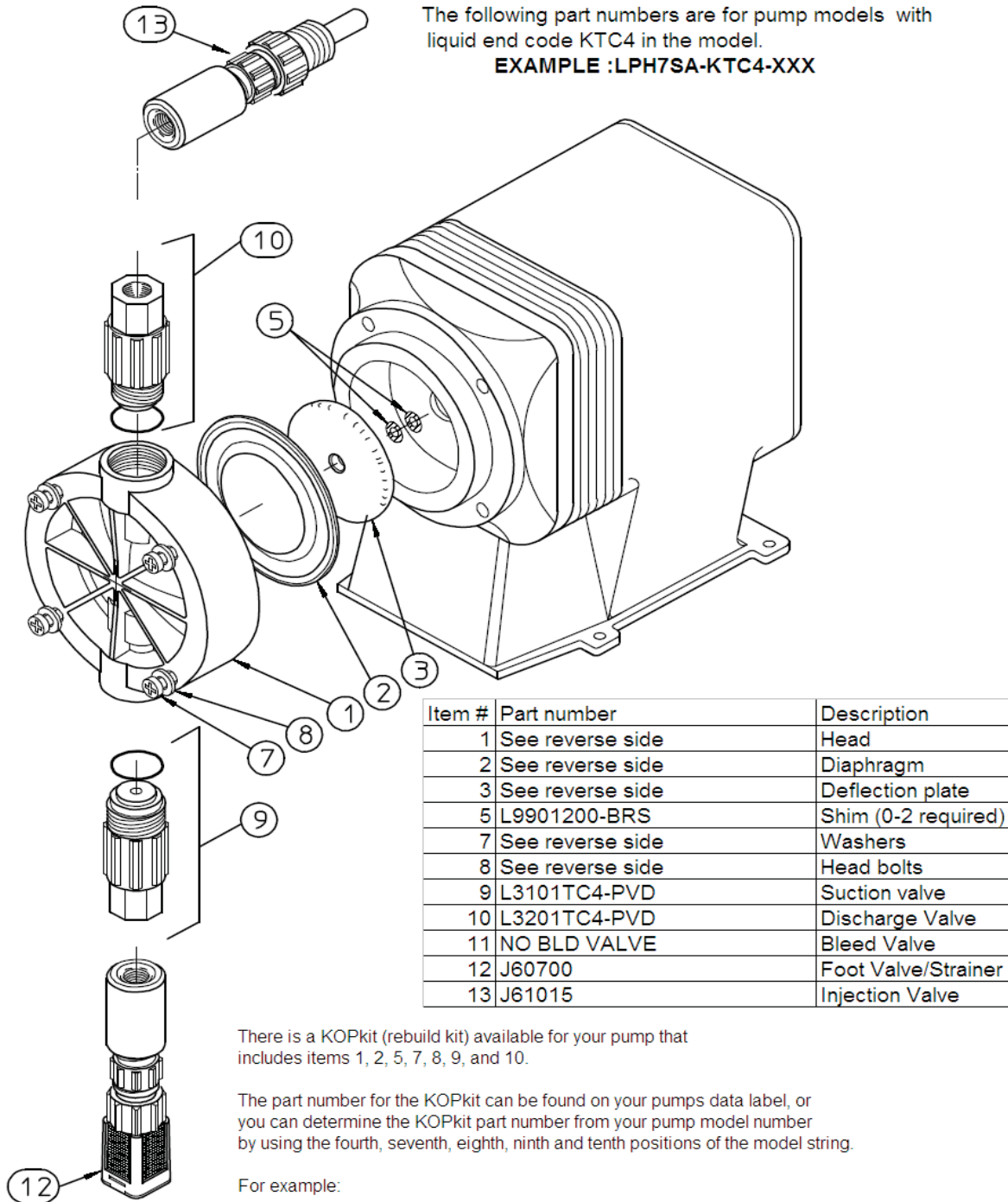


# KTC4 WET END PARTS



Model: LPH7SA-KTC4-XXX

KOPKIT P/N: K7KTC4

AC00380.001  
 J-9-04  
 1:3

Use the fourth digit in the model number from your pump to identify the part numbers below

**EXAMPLE MODEL:**

Position	1, 2, 3, 4, 5, 6 -7, 8, 9,10-11,12,13	
Model:	L P H 7 S A- K T C 4- X X X	

For example the pump head (ITEM #1) for this pump would be:

**P/N L0200700-PVD**

PART NUMBER	QTY	DESCRIPTION
<b>ITEM NO. 1: PUMP HEAD (PVD)</b>		
L0200400-PVD	1	4 IN POSITION NUMBER FOUR OF THE MODEL NUMBER
L0200500-PVD	1	5 IN POSITION NUMBER FOUR OF THE MODEL NUMBER
L0200600-PVD	1	6 IN POSITION NUMBER FOUR OF THE MODEL NUMBER
L0200700-PVD	1	7 IN POSITION NUMBER FOUR OF THE MODEL NUMBER
<b>ITEM NO. 2: DIAPHRAGM</b>		
L0301100-THY	1	4 IN POSITION NUMBER FOUR OF THE MODEL NUMBER
L0301200-THY	1	5 IN POSITION NUMBER FOUR OF THE MODEL NUMBER
L0301300-THY	1	6 IN POSITION NUMBER FOUR OF THE MODEL NUMBER
L0301400-THY	1	7 IN POSITION NUMBER FOUR OF THE MODEL NUMBER
<b>ITEM NO. 3: DEFLECTION PLATE</b>		
L2100400-FPP	1	4 IN POSITION NUMBER FOUR OF THE MODEL NUMBER
L2100500-FPP	1	5 IN POSITION NUMBER FOUR OF THE MODEL NUMBER
L2100600-FPP	1	6 IN POSITION NUMBER FOUR OF THE MODEL NUMBER
L2100700-FPP	1	7 IN POSITION NUMBER FOUR OF THE MODEL NUMBER
<b>ITEM NO. 7 &amp; 8: PUMP HEAD SCREWS AND WASHERS KIT (CONTAINS BOLTS AND WASHERS)</b>		
L3900200-000	1	2,3, OR 4 IN POSITION NUMBER FOUR OF THE MODEL NUMBER
L3900300-000	1	5, 6 OR 7 IN POSITION NUMBER FOUR OF THE MODEL NUMBER
<b>REPLACEMENT FUSES</b>		
L9707300-000	1	E-PLUS SERIES, AND E SERIES PUMPS WITH FUSE HOLDER
L9711200-000	1	A -PLUS, C, C-PLUS, AND E SERIES PUMPS WITH PC BOARD MOUNTED FUSE
L9704700-000	1	SERIES E-DC PUMPS
L9700700-250	1	SERIES MP PUMP (CIRCUIT BREAKER)